

TG D57

Condenser Microphone

Order # 707.015



FEATURES

- Patented microphone clamp with integrated preamp
- Functional design
- Cardioid polar pattern for high gain before feedback
- 12 - 48 V phantom powering
- Rugged construction

APPLICATIONS

Whether with standing toms, snare drums or percussion instruments - with its patented clip-on mount and integrated pre-amplifier, the TG D57 condenser microphone is mounted and ready in a flash. The expanded frequency range ensures faithful reproduction of all drum types and the 72 mm long flexible gooseneck allows it to be optimally positioned relative to the sound source. An elastic capsule suspension on the capsule housing protects against damage from drumstick strikes.

OPTIONAL ACCESSORIES

- BMC 05 FM Standard microphone cable
XLR-XLR, length 5 m Order # 434.787
- BMC 10 FM Standard microphone cable
XLR-XLR, length 10 m Order # 434.795
- WS 97 Wind shield, black Order # 465.313

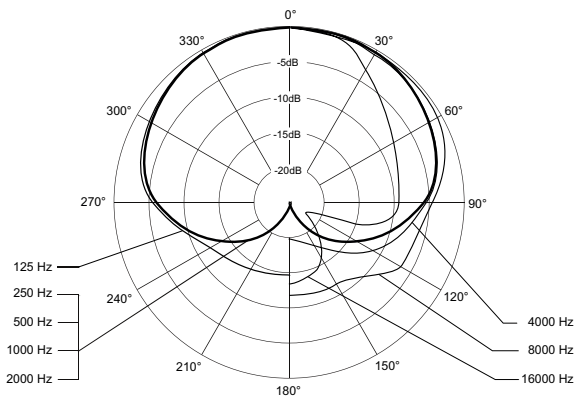
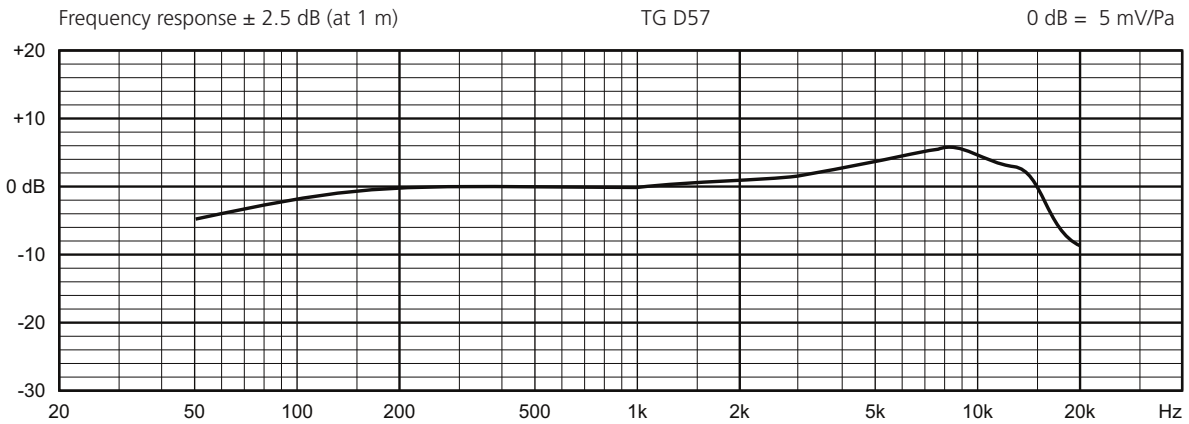
TECHNICAL SPECIFICATIONS

Transducer type	Condenser (back electret)
Operating principle	Pressure gradient
Polar pattern	Cardioid
Frequency response:	
Close miking	20 - 20,000 Hz
Distant miking (measured at 1 m)	35 - 20,000 Hz
Open circuit voltage	5 mV/Pa (-46 dBV) ±2.5 dB
Nominal impedance	200 Ω
Load impedance	≥ 1 kΩ
Max. SPL	
at 24 V and 48 V phantom power	140 dB
S/N ratio	59 dB [CCIR; Q-Peak] 70 dB [A; RMS]
Equivalent SPL	35 dB [CCIR; Q-Peak] 24 dB [A; RMS]
Power supply	Phantom power: 12 - 48 V (recommended: 48 V)
Power consumption	4.7 mA
Connection	XLR, 3-pin, male
Dimensions:	
Clamp (W x H)	85 x 118 mm
Gooseneck length	72 mm
Weight	approx. 145 g

TG D57

FREQUENCY RESPONSE & POLAR PATTERN

This polar pattern and frequency response curve (± 2.5 dB) correspond to a typical production sample for this microphone.



WIRING DIAGRAM

Polarity: Positive pressure produces positive voltage on pin 2.

