



beyerdynamic

M SERIES

MICROPHONES

Technical Specifications



Contents

M 88 Dynamic Microphone	4
M 201 Dynamic Microphone	6
M 130 Double-Ribbon Microphone.....	8
M 160 Double-Ribbon Microphone.....	10
MC 930 True Condenser Microphone.....	12
MC 950 True Condenser Microphone.....	14
MM 1 Measurement Microphone	16

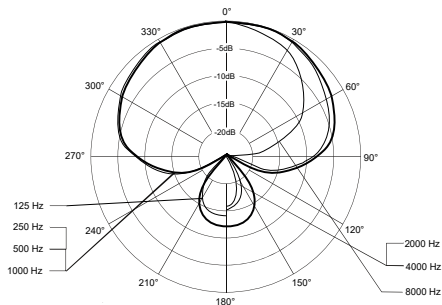
M 88

Dynamic Microphone

Technical Specifications

Transducer type	Dynamic
Operating principle	Pressure gradient
Polar pattern	Hypercardioid
Frequency response	30 - 20,000 Hz
Rear attenuation at 1 kHz	> 23 dB at 120°
Sensitivity (0 dB = 1 V/Pa)	2.9 mV/Pa (= -51 dBV)
Magnetic field suppression	> 20 dB at 50 Hz
Nominal impedance	200 Ω
Load impedance	≥ 1000 Ω
Diaphragm	Hostaphan®
Casing	Brass
Connection	XLR, 3-pin, male
Dimensions:	
Length	173 mm
Shaft diameter	25.5 mm
Head diameter	48.5 mm
Weight	331 g

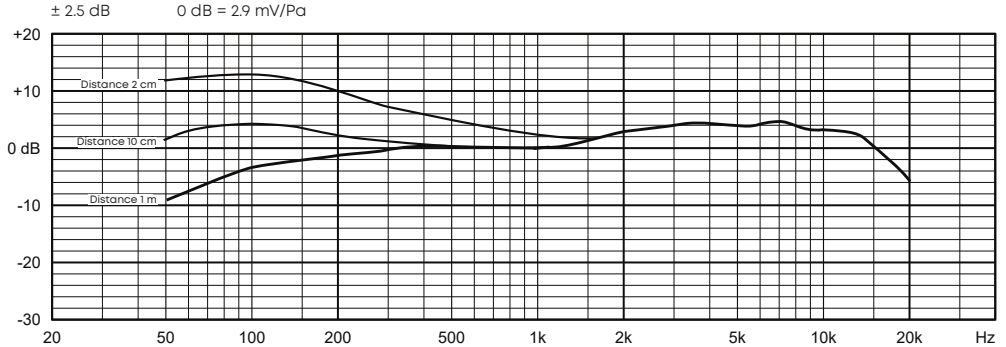
Polar Pattern



M 88

Dynamic Microphone

Frequency Response Curve



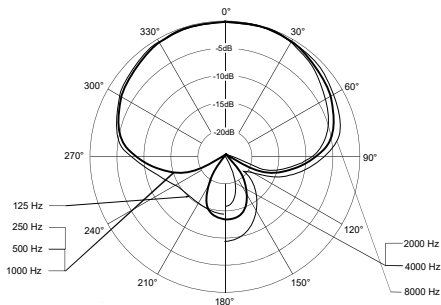
M 201

Dynamic Microphone

Technical Specifications

Transducer type	Dynamic
Operating principle	Pressure gradient
Polar pattern	Hypercardioid
Frequency response	40 - 18,000 Hz
Rear attenuation at 1 kHz	> 20 dB at 120°
Sensitivity (0 dB = 1 V/Pa)	1.2 mV/Pa (= -58 dBV)
Magnetic field suppression	> 18 dB at 50 Hz
Nominal impedance	200 Ω
Load impedance	≥ 1000 Ω
Diaphragm	Hostaphan®
Case/finish	Brass
Connector	XLR, 3-pin, male
Dimensions:	
Length	147 mm
Shaft diameter	.24 mm
Head diameter	.24 mm
Weight	228 g

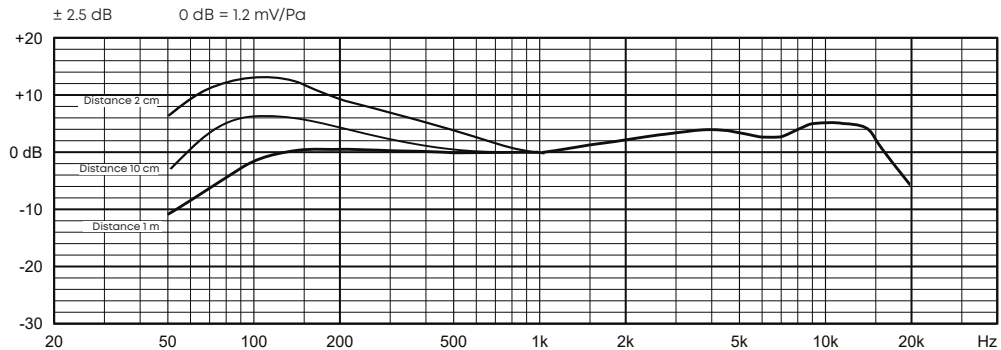
Polar Pattern



M 201

Dynamic Microphone

Frequency Response Curve



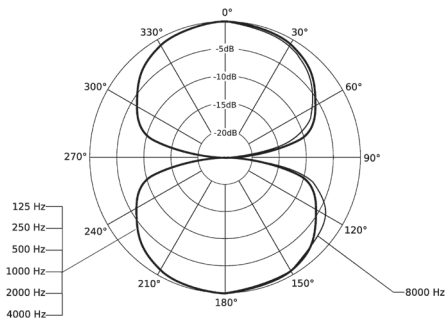
M 130

Double-Ribbon Microphone

Technical Specifications

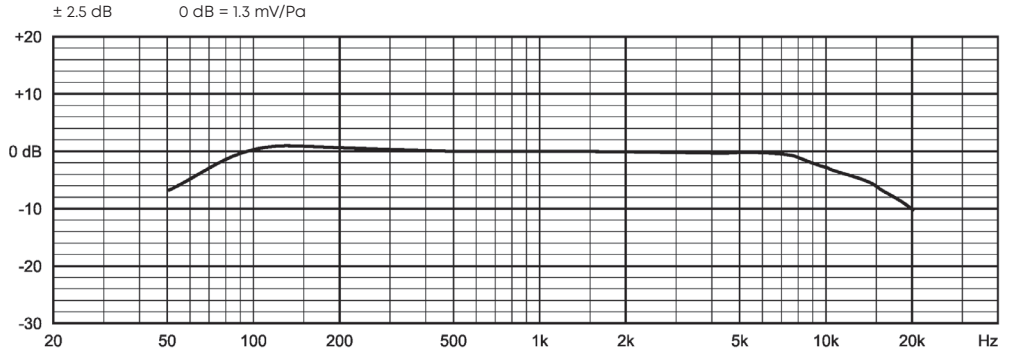
Transducer type.....	Dynamic
Operating principle.....	Pressure gradient
Frequency response.....	40 - 18,000 Hz
Polar pattern.....	Figure-eight
Rear attenuation at 1 kHz.....	> 30 dB at 90°
Sensitivity (0 dB = 1 V/Pa).....	1.3 mV/Pa (= -57.5 dBV)
Nominal impedance.....	200 Ω
Load impedance.....	≥ 1000 Ω
Diaphragm.....	Pure aluminium
Case/finish.....	Brass
Connector.....	XLR, 3-pin, male
Dimensions:	
Length.....	128 mm
Shaft diameter.....	23 mm
Head diameter.....	38.5 mm
Weight.....	160 g

Polar Pattern



M 130
Double-Ribbon Microphone

Frequency Response Curve



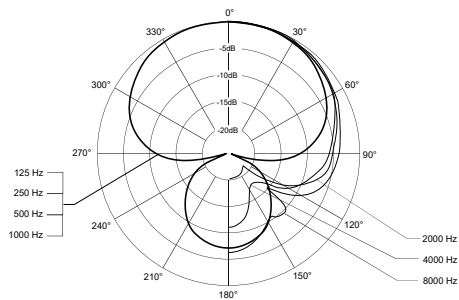
M 160

Double-Ribbon Microphone

Technical Specifications

Transducer type	Dynamic
Operating principle	Pressure gradient
Frequency response	.40 - 18,000 Hz
Polar pattern	Hypercardioid
Rear attenuation at 1 kHz	> 25 dB at 110°
Sensitivity (0 dB = 1 V/Pa)	1.0 mV/Pa (= -60 dBV)
Nominal impedance	200 Ω
Load impedance	≥ 1000 Ω
Diaphragm	Pure aluminium
Case/finish	Brass
Connector	XLR, 3-pin, male
Dimensions:	
Length	164 mm
Shaft diameter	.23 mm
Head diameter	.38 mm
Weight	192 g

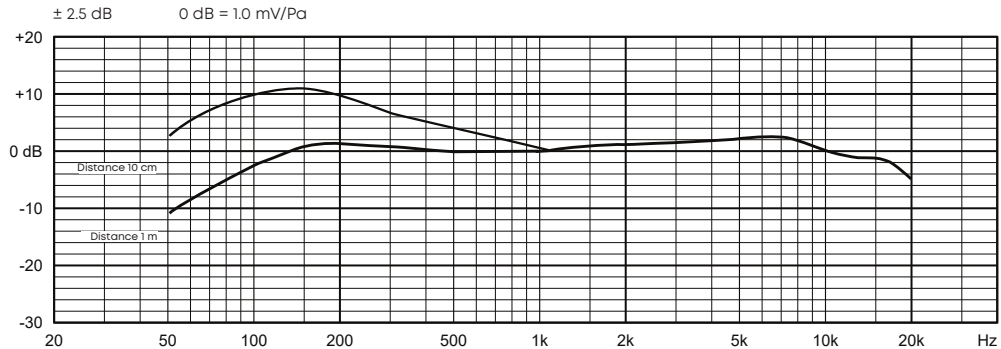
Polar Pattern



M 160

Double-Ribbon Microphone

Frequency Response Curve

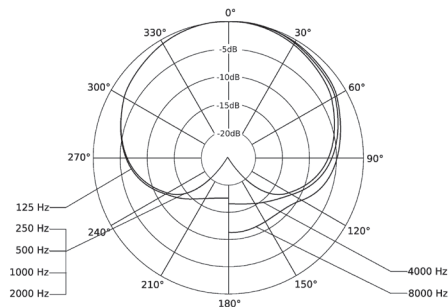


MC 930

True Condenser Microphone

Technical Specifications

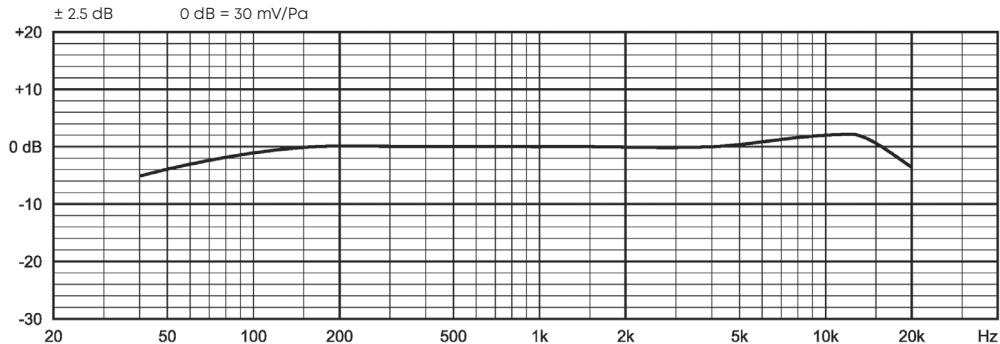
Transducer type.....	True condenser
Operating principle	Pressure gradient
Frequency response.....	40 - 20,000 Hz
Polar pattern.....	Cardioid
Sensitivity (0 dB = 1 V/Pa).....	30 mV/Pa (= -30.5 dBV)
Nominal impedance	180 Ω
Load impedance.....	1000 Ω
Max. SPL at 1 kHz.....	125 dB
with pre-attenuation	140 dB
Signal-to-noise ratio rel. to 1 Pa.....	71 dB
A-weighted equivalent SPL.....	16 dB
Low-cut filter	switchable, 6 dB/octave at 250 Hz
Power supply.....	11 - 52 V phantom power
Current consumption	4.6 mA
Connection	3-pin XLR male
Dimensions:	
Length.....	128 mm
Diameter	21 mm
Weight	106 g

Polar Pattern

MC 930

True Condenser Microphone

Frequency Response Curve

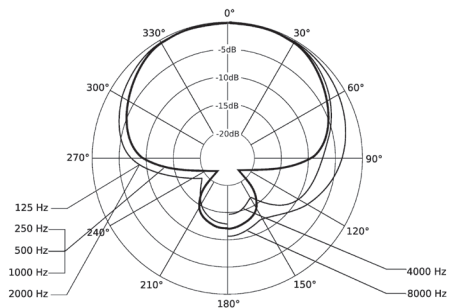


MC 950

True Condenser Microphone

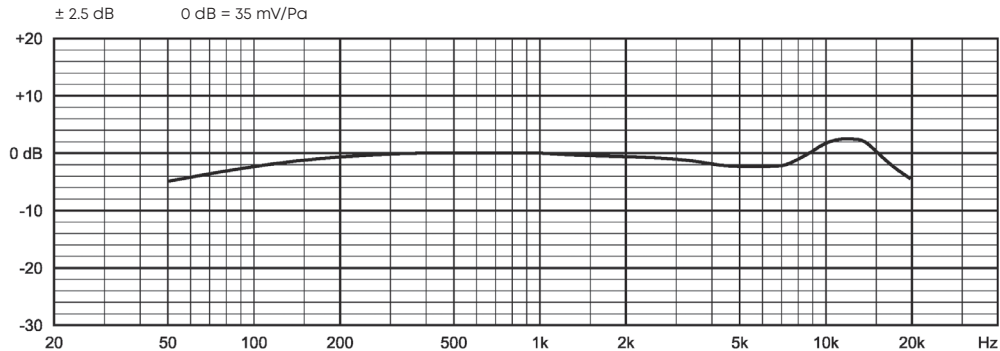
Technical Specifications

Transducer type	True condenser
Operating principle	Pressure gradient
Frequency response	40 - 20,000 Hz
Polar pattern	Supercardioid
Sensitivity (0 dB = 1 V/Pa)	.35 mV/Pa (= -29 dBV)
Nominal impedance	180 Ω
Load impedance	1000 Ω
Max. SPL at 1 kHz	124 dB
with pre-attenuation	139 dB
Signal-to-noise ratio rel. to 1 Pa	72 dB
A-weighted equivalent SPL	15 dB
Low-cut filter	switchable, 6 dB/octave at 250 Hz
Power supply	.11 - 52 V phantom power
Current consumption	4.6 mA
Connector	3-pin XLR male
Dimensions:	
Length	128 mm
Diameter	21 mm
Weight	106 g

Polar Pattern

MC 950
True Condenser Microphone

Frequency Response Curve



MM1

Measurement Microphone

Technical Specifications

Transducer type..... Condenser (back electret)
 Operating principle Pressure
 Frequency response..... 20 - 20,000 Hz
 (50 - 16,000 Hz \pm 1.5 dB),
 diffuse field calibrated

Polar pattern.....Omnidirectional
 Sensitivity

(0 dB = 1 V/Pa).....15 mV/Pa (= -36.5 dBV) \pm 1 dB

Nominal impedance160 Ω

Nominal load impedance \geq 2.2 k Ω

Max. SPL at f = 1 kHz, k = 1%, $R_L = 2.2$ k Ω 122 dB SPL

S/N ratio rel. to 1 Pa > 57 dB

A-weighted equivalent SPL..... approx. 26 dB(A)

Power supply..... 12 - 48 V phantom power

Current consumption approx. 1.9 mA

Output electronically balanced

Connection 3-pin XLR male

Dimensions:

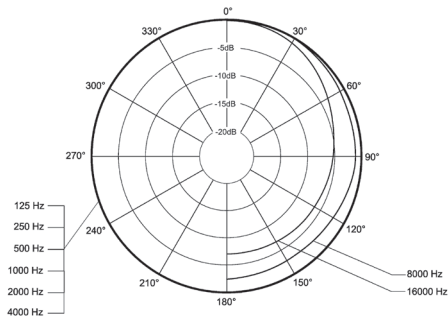
Length.....139 mm

Shaft diameter19 mm

Head diameter9 mm

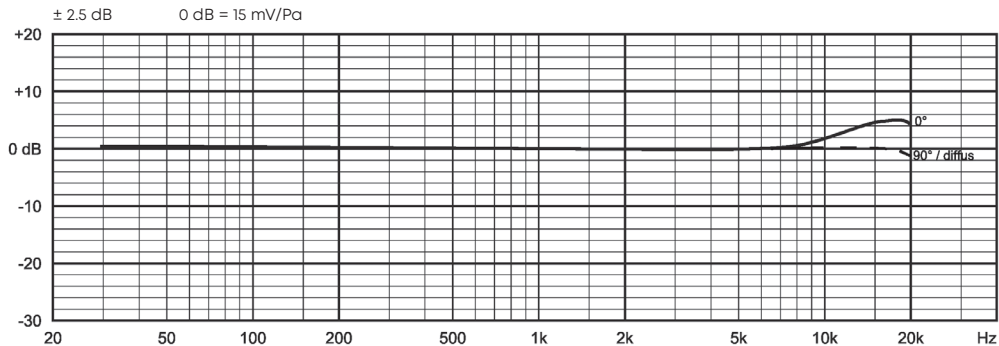
Weight 73 g

Polar Pattern



MM1 Measurement Microphone

Frequency Response Curve



DE

Eine ausführliche Bedienungsanleitung zu den einzelnen Mikrofonen in Ihrer Sprache finden Sie unter:
www.beyerdynamic.com

ES

Encontrará instrucciones detalladas en su idioma sobre los diferentes micrófonos en:
www.beyerdynamic.com

KO

귀하의 언어로 된 개별 마이크에 대한 자세한 사용 설명서는 다음에서 찾을 수 있습니다:
www.beyerdynamic.com

EN

You will find a comprehensive manual for each microphone in your language on the internet at:
www.beyerdynamic.com

IT

Istruzioni per l'uso dettagliate della vostra lingua con ulteriori informazioni sono reperibili qui:
www.beyerdynamic.com

Guida al riciclaggio



Le informazioni sullo smaltimento dei materiali di imballaggio sono disponibili alla voce:
<https://byr.li/mseriesgar>

JA

お客様の言語によるそれぞれのマイクの詳細な取扱説明書は、以下でご覧いただけます:
www.beyerdynamic.com

FR

Vous trouverez un mode d'emploi détaillé dans votre langue pour les différents microphones sur le site Internet :
www.beyerdynamic.com

SV

En utförlig bruksanvisning på ditt eget språk med ytterligare information hittar du på:
www.beyerdynamic.com

ZH

欲查阅每个麦克风所需语言版本的使用说明书详细版，请访问
www.beyerdynamic.com

beyerdynamic GmbH & Co. KG
Theresienstr. 8 · 74072 Heilbronn / Germany
Phone +49 7131 617-300
E-Mail info@beyerdynamic.com
www.beyerdynamic.com

For further distributors worldwide,
please go to www.beyerdynamic.com

Non-contractual illustrations.
Subject to change without notice.

EN 1
M Series · 1000351 · (07.23)



CREATE THE AMAZING